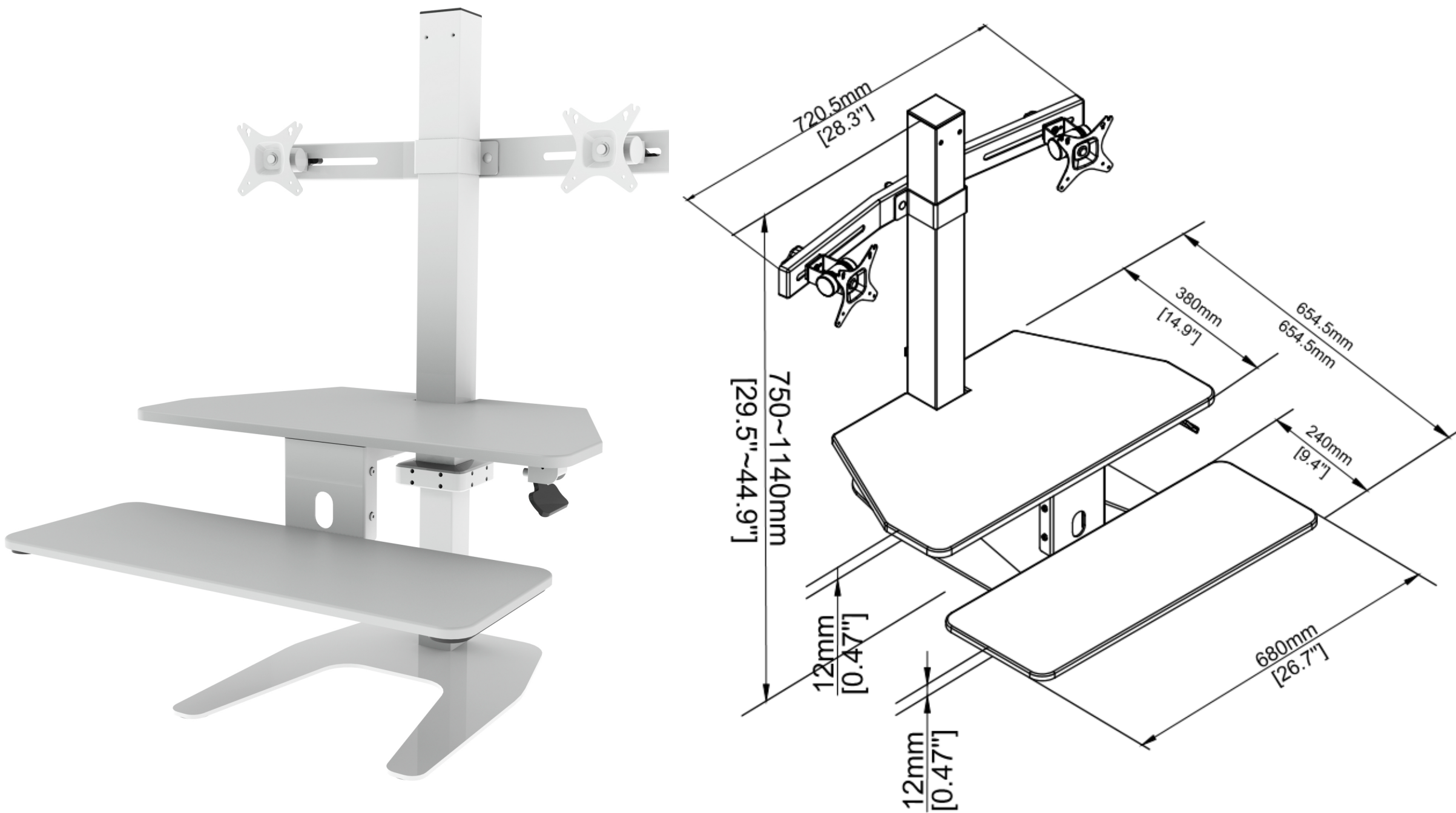


# Dual Screen Sit/Stand Tabletop Unit



## Product Specification

Colours	White - Black (On request)
Product code	CMS2873 (Unit) CMS2875 (Bracket)
Weight capacity (Max load/Monitor)	13kgs/5kgs each
Work surface size	W*680mmD*380mm
KB Platform size	W*680mmD*250mm
Monitor (Adjusts/tilt angle)	254mm/+15°/-15°
Height adjustment	750mm – 1140mm

## Additional Information

- Soft touch height adjustment
- Sit/Stand option
- Stable weighted base
- Easily adjustable

## Material Break Down

### CMS2873

**Material:** Solid Steel – 75% Steel, 4.22% Plastic, 20.78% MDF wood top  
**Finish:** Powder Coating  
**Recycled Content:** 0%

### CMS2875

**Material:** Solid Steel – 95.2% Steel, 4.8% Plastic  
**Finish:** Powder Coating  
**Recycled Content:** 0%

Both Parts are 100% Recyclable  
 All materials are compliant with RoHS and REACH



**Ergo**  
 01235 773373  
[www.ergo ltd.co.uk](http://www.ergo ltd.co.uk)  
[sales@ergo ltd.co.uk](mailto:sales@ergo ltd.co.uk)